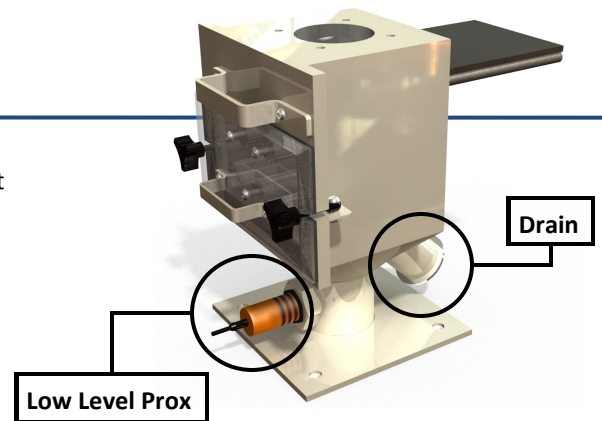




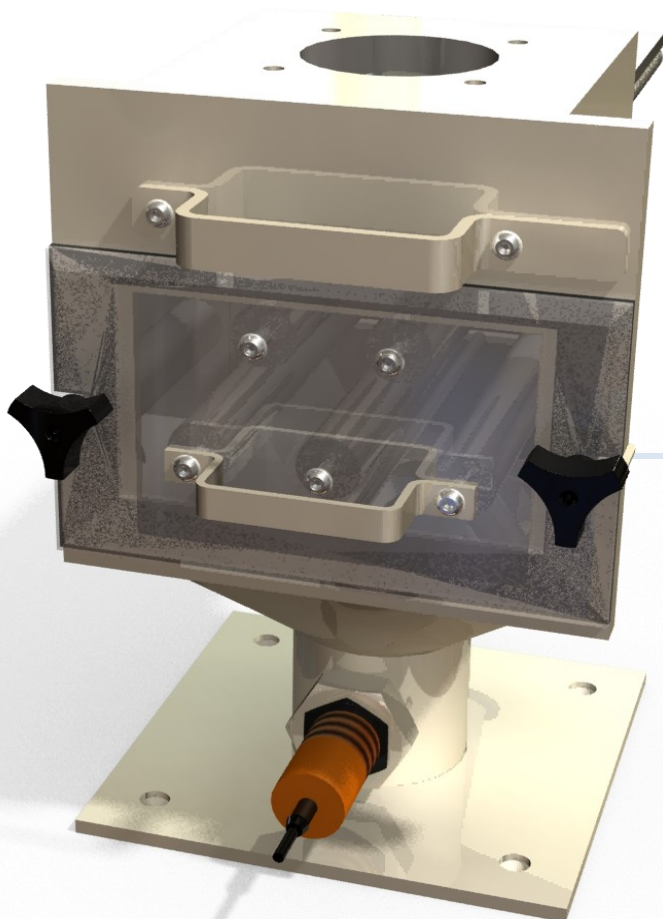
# Magnet Drawer

Advanced Blending Solutions' Magnet Drawers keep ferrous metals out of your extruder and help protect your equipment. Drawers are made of mild or stainless steel without hang-up points, and are customized to mount to your equipment. Proximity switches, which come standard, measure when the material level is low.

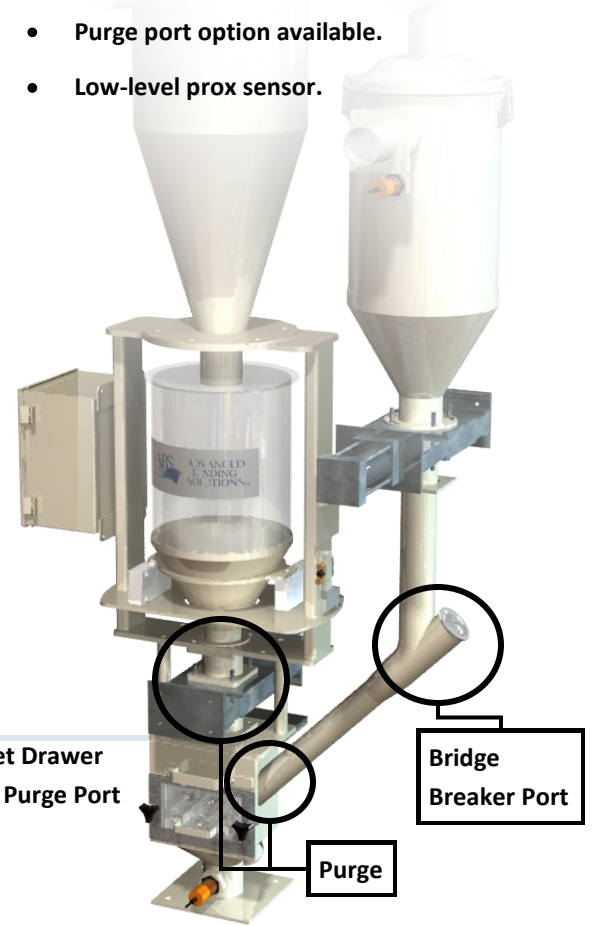
Advanced Blending Solutions manufactures a full line of vacuum convey, blending, gravimetric, and control equipment for the plastics industry. Advanced Blending Solutions also offers a full line of PLC-based controls for gravimetric extrusion control, vacuum sequence control, extruder/die temperature control, and blender control. Advanced Blending Solutions offers PLC-based control retrofits for any blender on the market.



- Rare Earth or ceramic magnets.
- No hang-up points.
- Custom mounting.
- Manual or automated slide gate.
- Purge port option available.
- Low-level prox sensor.



6" x 6" Magnet Drawer  
Pictured with Purge Port



# Ordering Information

Enter in each box the letter or number corresponding to your specifications when ordering.

--	--	--	--

## Style

**MDG** - Magnet Drawer

## Size

**6** - 6"x6" box

**8** - 8"x8" box

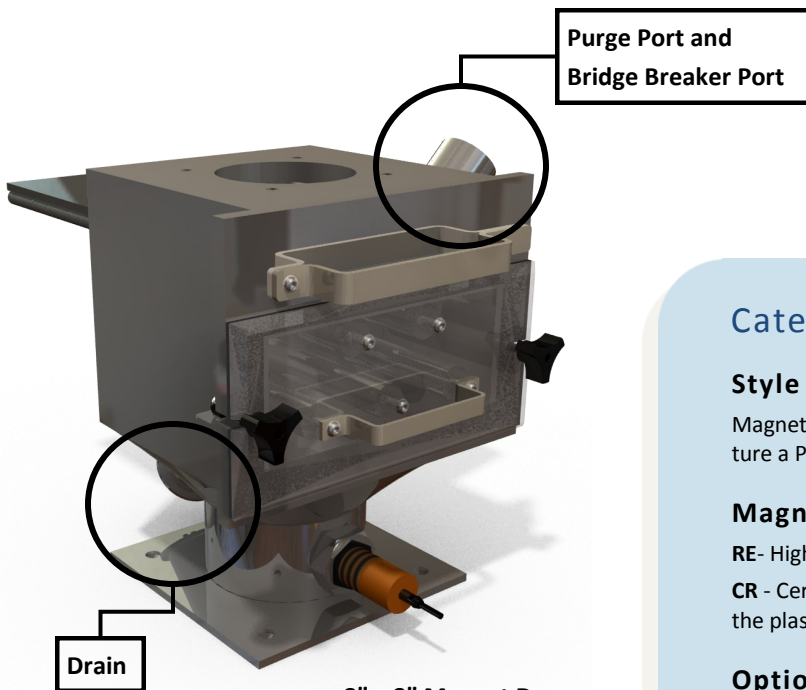
## Magnets

**RE** - Rare Earth Magnets

**CR** - Ceramic Magnets

## Options

**SS** - Stainless Steel



**8" x 8" Magnet Drawer  
Pictured with Stainless  
Steel Option**

## Category Explanations

### Style

Magnet Drawers are made of mild or stainless steel. Magnet drawers feature a Purge Port which can also be used as a Bridge Breaker Port.

### Magnets

**RE**- High-quality, strong Rare Earth magnets.

**CR** - Ceramic magnets, which are less strong, are best in applications where the plastic may be slightly magnetic.

### Options

**SS** - This option features 304 Stainless Steel.